

BDS carbide-tipped core drills. Series with cutting depths of 30 mm, 35 mm, 55 mm, 75 mm and 110 mm and almost stepless graduations of the diameter from Ø 12 mm to Ø 150 mm. BDS recommends the BDS 6000 high-performance cooling lubricant concentrate for machining stainless steel and non-ferrous metals.

Carbide (TCT) Core Drills Short

- > 30 mm cutting depth
- > 19 mm Weldon shank (3/4")



Carbide (TCT) Core Drills Short

- > 30 mm cutting depth
- > 32 mm Weldon shank (1 1/4")



CARBIDE SERIES

Ø mm	ORDER NO.	Ø mm	ORDER NO.
12	HKK 012	37	HKK 037
13	HKK 013	38	HKK 038
14	HKK 014	39	HKK 039
15	HKK 015	40	HKK 040
16	HKK 016	41	HKK 041
17	HKK 017	42	HKK 042
18	HKK 018	43	HKK 043
19	HKK 019	44	HKK 044
20	HKK 020	45	HKK 045
21	HKK 021	46	HKK 046
22	HKK 022	47	HKK 047
23	HKK 023	48	HKK 048
24	HKK 024	49	HKK 049
25	HKK 025	50	HKK 050
26	HKK 026	51	HKK 051
27	HKK 027	52	HKK 052
28	HKK 028	53	HKK 053
29	HKK 029	54	HKK 054
30	HKK 030	55	HKK 055
31	HKK 031	56	HKK 056
32	HKK 032	57	HKK 057
33	HKK 033	58	HKK 058
34	HKK 034	59	HKK 059
35	HKK 035	60	HKK 060
36	HKK 036		

CARBIDE SERIES

Ø mm	ORDER NO.	Ø mm	ORDER NO.
61	HKK 061	86	HKK 086
62	HKK 062	87	HKK 087
63	HKK 063	88	HKK 088
64	HKK 064	89	HKK 089
65	HKK 065	90	HKK 090
66	HKK 066	91	HKK 091
67	HKK 067	92	HKK 092
68	HKK 068	93	HKK 093
69	HKK 069	94	HKK 094
70	HKK 070	95	HKK 095
71	HKK 071	96	HKK 096
72	HKK 072	97	HKK 097
73	HKK 073	98	HKK 098
74	HKK 074	99	HKK 099
75	HKK 075	100	HKK 100
76	HKK 076	105	HKK 105
77	HKK 077	110	HKK 110
78	HKK 078	115	HKK 115
79	HKK 079	120	HKK 120
80	HKK 080	125	HKK 125
81	HKK 081	130	HKK 130
82	HKK 082	135	HKK 135
83	HKK 083	140	HKK 140
84	HKK 084	145	HKK 145
85	HKK 085	150	HKK 150

EJECTOR PIN FOR HKK, Ø 14 – 60 mm

ORDER NO.

ZAK 075

EJECTOR PIN FOR HKK, Ø 61 – 150 mm

ORDER NO.

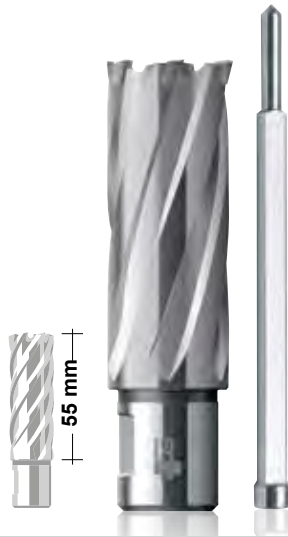
ZAK 090

Carbide (TCT)

Tungsten Carbide Tip Core Drills

Carbide (TCT) Core Drills Long

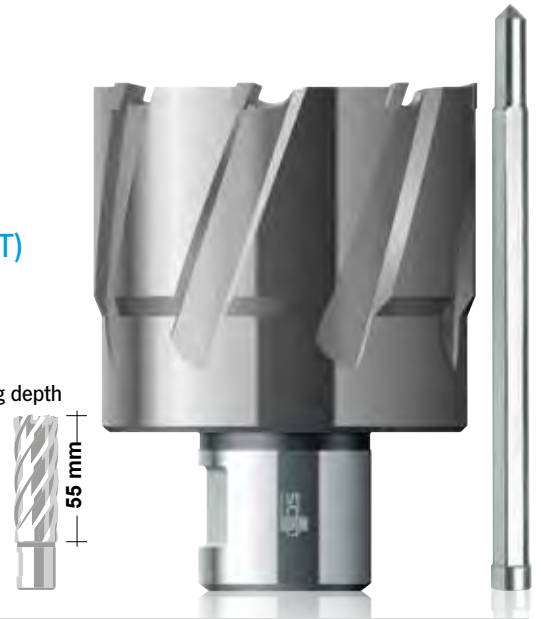
- > 55 mm cutting depth
- > 19 mm Weldon shank (3/4")



CARBIDE SERIES			
Ø mm	ORDER NO.	Ø mm	ORDER NO.
12	HKL 012	37	HKL 037
13	HKL 013	38	HKL 038
14	HKL 014	39	HKL 039
15	HKL 015	40	HKL 040
16	HKL 016	41	HKL 041
17	HKL 017	42	HKL 042
18	HKL 018	43	HKL 043
19	HKL 019	44	HKL 044
20	HKL 020	45	HKL 045
21	HKL 021	46	HKL 046
22	HKL 022	47	HKL 047
23	HKL 023	48	HKL 048
24	HKL 024	49	HKL 049
25	HKL 025	50	HKL 050
26	HKL 026	51	HKL 051
27	HKL 027	52	HKL 052
28	HKL 028	53	HKL 053
29	HKL 029	54	HKL 054
30	HKL 030	55	HKL 055
31	HKL 031	56	HKL 056
32	HKL 032	57	HKL 057
33	HKL 033	58	HKL 058
34	HKL 034	59	HKL 059
35	HKL 035	60	HKL 060
36	HKL 036		

Carbide (TCT) Core Drills Long

- > 55 mm cutting depth
- > 32 mm Weldon shank (1 1/4")



CARBIDE SERIES			
Ø mm	ORDER NO.	Ø mm	ORDER NO.
61	HKL 061	81	HKL 081
62	HKL 062	82	HKL 082
63	HKL 063	83	HKL 083
64	HKL 064	84	HKL 084
65	HKL 065	85	HKL 085
66	HKL 066	86	HKL 086
67	HKL 067	87	HKL 087
68	HKL 068	88	HKL 088
69	HKL 069	89	HKL 089
70	HKL 070	90	HKL 090
71	HKL 071	91	HKL 091
72	HKL 072	92	HKL 092
73	HKL 073	93	HKL 093
74	HKL 074	94	HKL 094
75	HKL 075	95	HKL 095
76	HKL 076	96	HKL 096
77	HKL 077	97	HKL 097
78	HKL 078	98	HKL 098
79	HKL 079	99	HKL 099
80	HKL 080	100	HKL 100

EJECTOR PIN FOR HKL, Ø 14 – 60 mm

ORDER NO.

ZAK 100

EJECTOR PIN FOR HKL, Ø 61 – 100 mm

ORDER NO.

ZAK 120

Carbide (TCT) Core Drills Overlong

- > 75 mm cutting depth
- > up to Ø 60 mm:
19 mm Weldon shank (¾")
- > from Ø 61 mm
32 mm Weldon shank (1 ¼")



Carbide (TCT) Core Drills Overlong

- > 110 mm cutting depth
- > up to Ø 60 mm:
19 mm Weldon shank (¾")
- > from Ø 61 mm
32 mm Weldon shank (1 ¼")



CARBIDE SERIES			
Ø mm	ORDER NO.	Ø mm	ORDER NO.
18	HKX-L 018	44	HKX-L 044
19	HKX-L 019	45	HKX-L 045
20	HKX-L 020	46	HKX-L 046
21	HKX-L 021	47	HKX-L 047
22	HKX-L 022	48	HKX-L 048
23	HKX-L 023	49	HKX-L 049
24	HKX-L 024	50	HKX-L 050
25	HKX-L 025	51	HKX-L 051
26	HKX-L 026	52	HKX-L 052
27	HKX-L 027	53	HKX-L 053
28	HKX-L 028	54	HKX-L 054
29	HKX-L 029	55	HKX-L 055
30	HKX-L 030	56	HKX-L 056
31	HKX-L 031	57	HKX-L 057
32	HKX-L 032	58	HKX-L 058
33	HKX-L 033	59	HKX-L 059
34	HKX-L 034	60	HKX-L 060
35	HKX-L 035	65	HKX-L 065
36	HKX-L 036	70	HKX-L 070
37	HKX-L 037	75	HKX-L 075
38	HKX-L 038	80	HKX-L 080
39	HKX-L 039	90	HKX-L 090
40	HKX-L 040	100	HKX-L 100
41	HKX-L 041	110	HKX-L 110
42	HKX-L 042	120	HKX-L 120
43	HKX-L 043		

CARBIDE SERIES			
Ø mm	ORDER NO.	Ø mm	ORDER NO.
20	HKE-L 020	45	HKE-L 045
21	HKE-L 021	46	HKE-L 046
22	HKE-L 022	47	HKE-L 047
23	HKE-L 023	48	HKE-L 048
24	HKE-L 024	49	HKE-L 049
25	HKE-L 025	50	HKE-L 050
26	HKE-L 026	51	HKE-L 051
27	HKE-L 027	52	HKE-L 052
28	HKE-L 028	53	HKE-L 053
29	HKE-L 029	54	HKE-L 054
30	HKE-L 030	55	HKE-L 055
31	HKE-L 031	56	HKE-L 056
32	HKE-L 032	57	HKE-L 057
33	HKE-L 033	58	HKE-L 058
34	HKE-L 034	59	HKE-L 059
35	HKE-L 035	60	HKE-L 060
36	HKE-L 036	65	HKE-L 065
37	HKE-L 037	70	HKE-L 070
38	HKE-L 038	75	HKE-L 075
39	HKE-L 039	80	HKE-L 080
40	HKE-L 040	90	HKE-L 090
41	HKE-L 041	100	HKE-L 100
42	HKE-L 042	110	HKE-L 110
43	HKE-L 043	120	HKE-L 120
44	HKE-L 044		

EJECTOR PIN FOR HKX-L, Ø 18 – 120 mm

ORDER NO. VERSION

- ZAK 225 Two-part for core drill cutting depth of 75 mm, Ø 18 – 60
 ZAK 245 Two-part for core drill cutting depth of 75 mm, Ø 61 – 120

EJECTOR PIN FOR HKE-L, Ø 20 – 120 mm

ORDER NO. VERSION

- ZAK 275 Two-part version