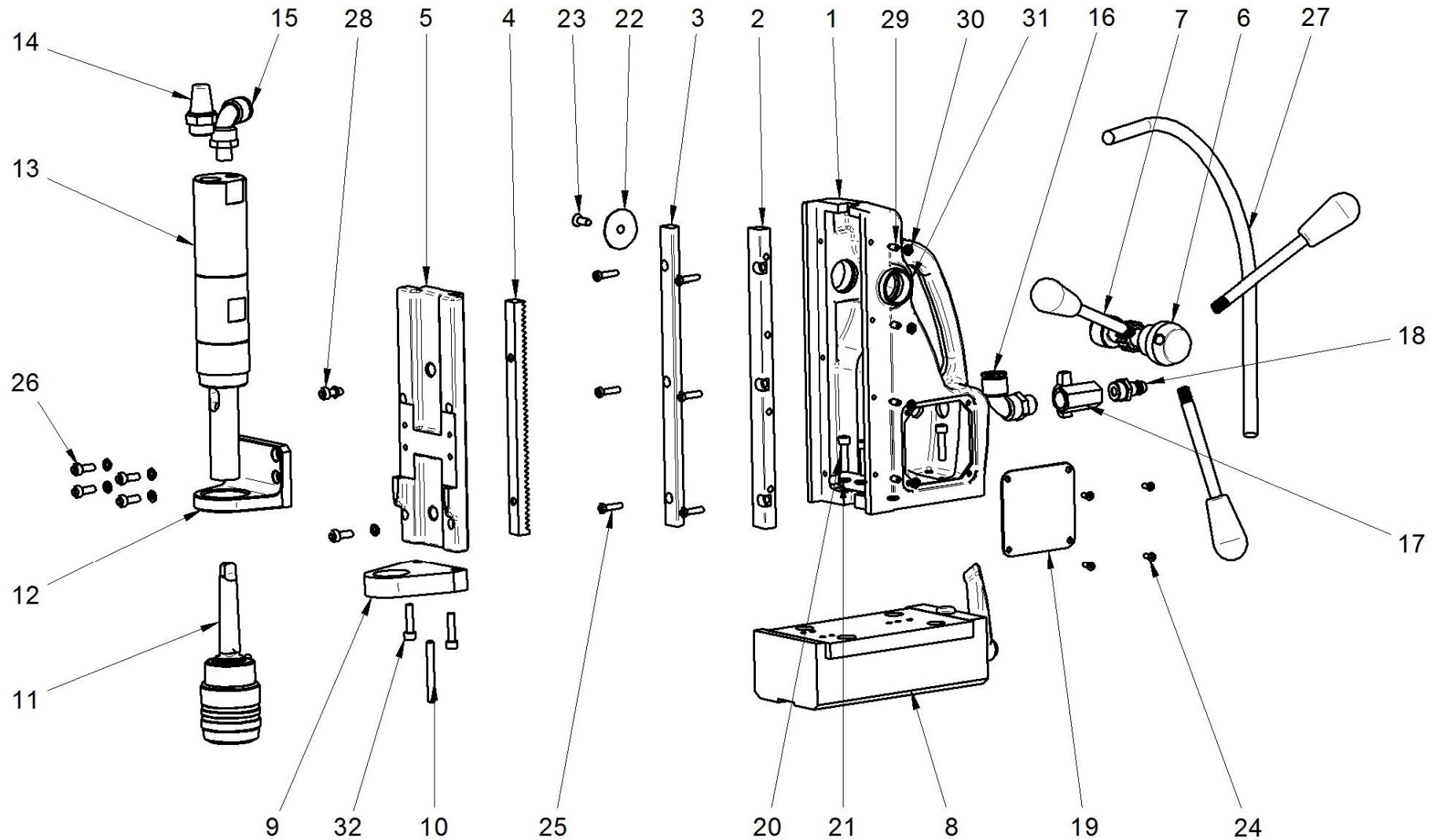
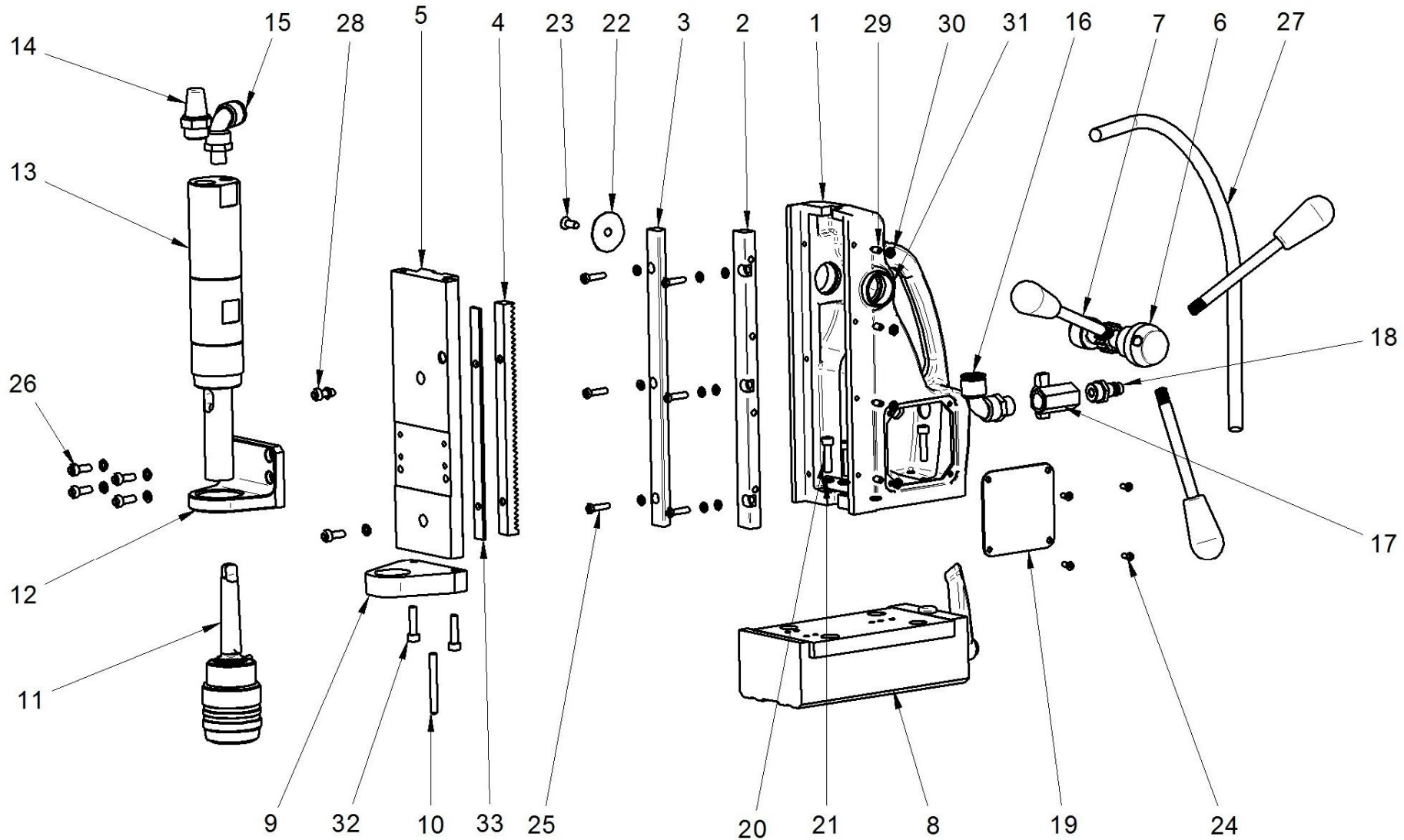


AirMAB 5000



AirMAB 5000



Pos. No.	Article no.	Description	pc.
1	6014291	Housing for guide rails, both sides screwed	1
2	6014301	Guide rail right, to be screwed 4 holes	1
3	6014311	Guide rail left, to be screwed, 4 holes	1
4	6014321	Rack	1
5.1	6014331	Dovetail carriage old version until December 2012	1
5.2	6014332	Dovetail carriage new version since January 2013	1
6	6010211	Shaft for gear wheel	1
7	6010242	Handle rod with knob	3
8.1	7011991	Magnet (permanent) old version	1
8.2	7011992	Magnet (permanent) new version	1
9	6014281	Counterholder for spindle	1
10	6000212	Stop pin L=54mm	1
11	ZSS 200	Quick change drill chuck system Keyless MK 2	1
12	6014351	Holder for motor	1
13	5080002	Pneumatic motor	1
14	7012241	Absorbing duct G 1/2"	1
15	7012221	L-threaded union QSL G 1/4"-12	1
16	7012231	L-threaded union QSL G 3/8"-12	1
17	7014161	Plug cock with rotary handle G 3/8"	1
18	7015001	Union DN 7,2 G 3/8" outside	1
19	7011961	Cover for housing	1
20	6010091	Hexagon socket cylinder head screw M6x20 DIN 912	3
21	6010021	Spring washer 6,1 DIN 7980	9
22	6010221	Washer for gear wheel 10,5x35x1,5	1
23	6010231	Screw M6x16 ISO 7047	1
24	7010081	Screw M4x8 DIN 966	4
25	6010841	Hexagon socket cylinder head screw M5x20 DIN 912	6
26	7011971	Hexagon socket cylinder head screw M6x16 DIN 7984	4
27	7012211	Tube PUR 12x9x1,5 600mm	1
28	6010011	Hexagon socket cylinder head screw M6x16 DIN 912	2
29	6010041	Hexagon socket set screw M5x16 DIN 913	4
30	6011101	Flat nut M5 DIN 439	4
31	3020005	Slide bearing 28x32x12	2
32	6010111	Hexagon socket cylinder head screw M6x25 DIN 912	2
33	6015851	Base plate for rack since January 2013	1