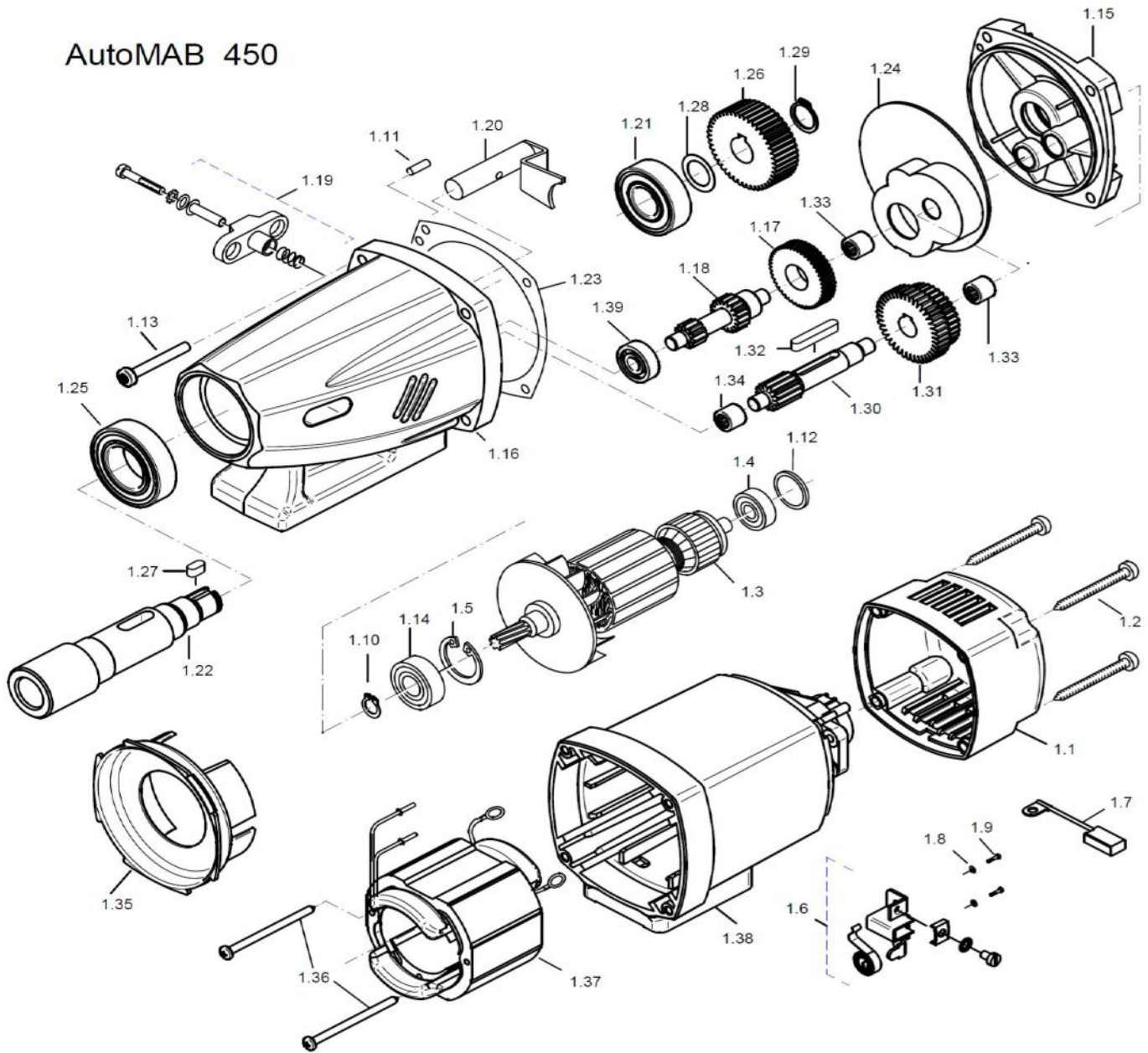
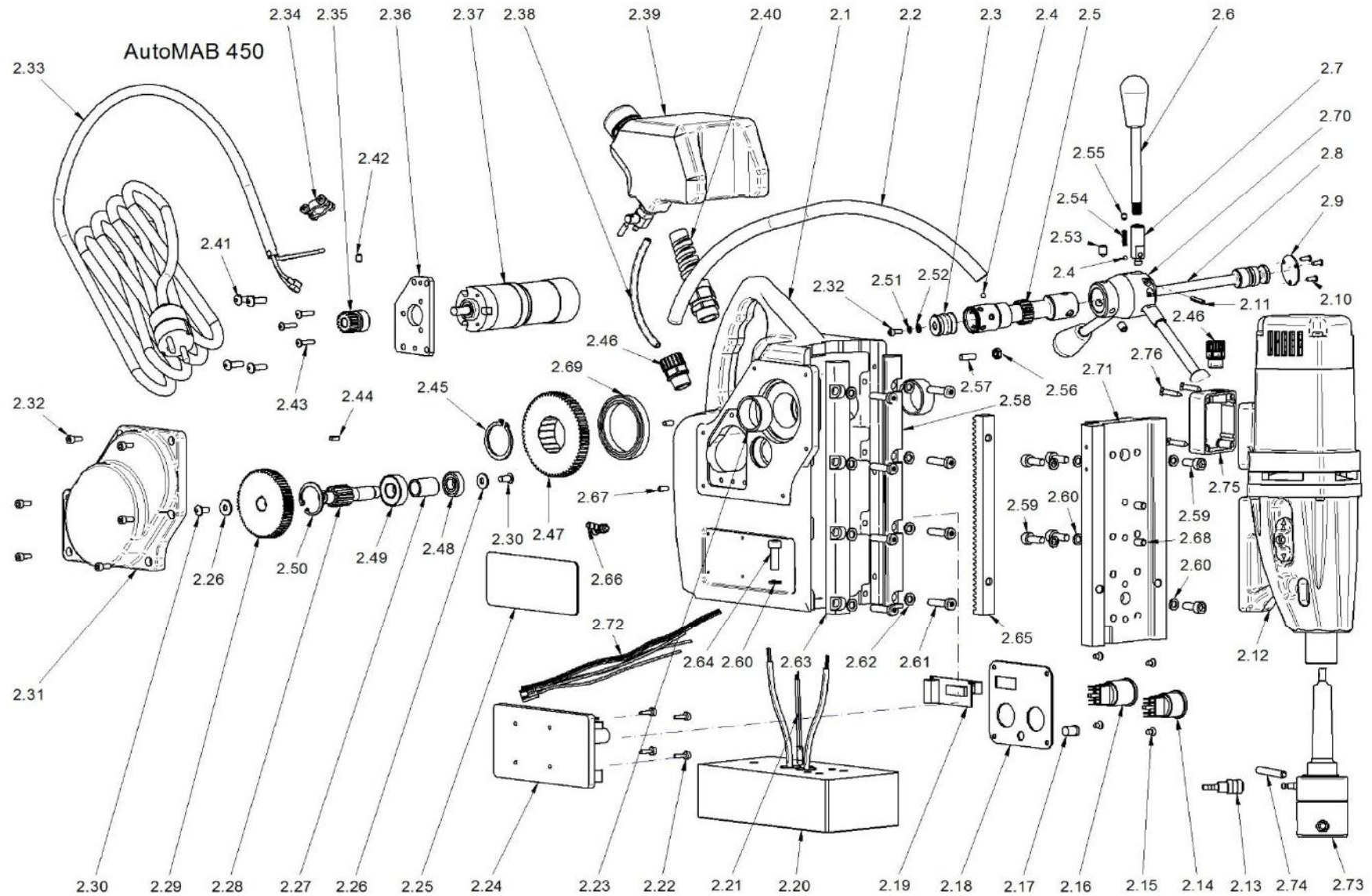


AutoMAB 450





Pos. No.	Article no.	Description	pc.
1.1	5010691	Cap for motor housing	1
1.2	5010581	Screw HC 4,8x45 DIN 7981	4
1.3.1	5010661	Armature 110 V	1
1.3.2	5010651	Armature 230 V	1
1.4	5010061	Ball bearing 608 2Z	1
1.5	5010271	Circlip ring 28/1,2 DIN 472	1
1.6	5010561	Carbon brush holder	2
1.7	5010571	Carbon brush 6,3x10x18	2
1.8	5013981	Corrugated spring washer B4 DIN 137	4
1.9	5013991	Self tapping screw CM4 x 12	4
1.10	5010711	Circlip ring 11/1 DIN 471	1
1.11	5010291	Pin M4x12 DIN 1474	1
1.12	5010591	O-Ring 22x2,5	1
1.13	5015231	PT-Screw 50x40	4
1.14	5010081	Ball bearing 6001 2Z	1
1.15	5010731	Gearbox bearing plate	1
1.16	5015331	Gear box housing	1
1.17	5010541	Intermedium wheel 34 teeth	1
1.18	5010421	Shaft with 2 pinions 19/11 teeth	1
1.19	5010521	Gear change complete	1
1.20	5010761	Clutch complete	1
1.21	5010611	Ball bearing 6203 2RS	1
1.22	5013471	Spindle	1
1.23	5015111	Gear box gasket	1
1.24	5010771	Shaft seal for grease chamber	1
1.25	5011191	Ball bearing 6005 2RS	1
1.26	5010621	Spindle wheel 45 teeth	1
1.27	5010751	Spring A5x5x12 DIN 6885	1
1.28	5010531	Washer 15x22x0,2 DIN 988	1
1.29	5010721	Circlip ring 15/1 DIN 471	1
1.30	5010411	Shaft for gear wheel 13 teeth	1
1.31	5010632	Gear wheel block 34/40 teeth	1
1.32	5010501	Spring A5x5x28 DIN 6685	1
1.33	5010351	Needle bearing HK 0810	2
1.34	5014591	Needle bearing DL 0810	1
1.35	5010641	Air conducting ring	1
1.36	5010031	Screw HC 3,9 x 60 DIN 7981	2
1.37.1	5012741	Field coil 110 V	1
1.37.2	5010671	Field coil 230V	1
1.38	5010701	Motor housing complete	1
1.39	5010071	Ball bearing 608 2RS	1





Pos. No.	Article no.	Description	pc.
2.1	3035001	Housing	1
2.2	7010001	Cable protection tube 440mm	1
2.3	6015691	Clutch sleeve	1
2.4	6013671	Ball 5 mm for feed shaft	10
2.5	6015701	Drive shaft 16 teeth	1
2.6	6010921	Handle rod with knob	3
2.7	7060041	Impact unit for handle	3
2.8	6015731	Switching shaft	1
2.9	6015721	Cover	1
2.10	6015821	Hexagon socket flat head screw M4x8 ISO 7380	3
2.11	6012081	Groove pin 4x26 DIN 1481 for handle	3
2.12.1	5045021	Motor MABasic 450 complete 110V	1
2.12.2	5045011	Motor MABasic 450 complete 230V	1
2.13	ZSS 200K	Quick change coupling	1
2.14	7012251	Magnet switch LED red	1
2.15	7010081	Screw M4x6 DIN 966	4
2.16	7012111	Motor scanner LED blue	1
2.17	7010101	LED display for indicator red/green incl. cable and frame	1
2.18	7015281	Switch plate front side	1
2.19.1	7013451	Board with LED bar display 110V	1
2.19.2	7013351	Board with LED bar display 230V	1
2.20	6010054	Magnet (electric) with indicator	1
2.21	6012171	Indicator with cable	1
2.22	7060051	Hexagon socket cylinder head screw M3x12 DIN 912	4
2.23	3020005	Slide bearing 28x32x12	2
2.24.1	7012451	Control board 110V	1
2.24.2	7012351	Control board 230V	1
2.25	7015291	Cover of housing, back side	1
2.26	6011961	Washer 5,3 DIN 9021	2
2.27	6015651	Spacer	1
2.28	6015671	Gear shaft	1
2.29	6011972	Gear wheel 61 teeth	1
2.30	6011951	Hexagon socket cylinder head screw M5x10 DIN 7380	2
2.31	7014621	Cover for feed motor	1
2.32	4000111	Hexagon socket cylinder head screw M4x10 DIN 912	7
2.33.1.1	7010052	Connection cable 110 V with GB-plug	1
2.33.2.1	7010242	Connection cable 110V with US-plug	1
2.33.1.2	7010042	Connection cable 230V complete with plug	1
2.34	4010291	Cord grip for connection cable	1
2.35	6011821	Gear wheel for motor	1
2.36	7060131	Adaptor	1
2.37	6011871	Feed motor	1
2.38	ZSS 200S	Coolant tube blue, short 260mm	1
2.39	ZKK 351	Coolant reservoir with tap	1
2.40	7010031	Mains cable gland PG 11	1
2.41	6012601	Hexagon socket screw M5x16 DIN 7380	4
2.42	7060021	Hexagon socket set screw M5x8 DIN 913	1
2.43	6012681	Hexagon socket cylinder head screw M4x16 DIN 912	3
2.44	6012001	Sliding block B3x3x8 DIN 6885	1
2.45	6011921	Circlip ring outside 30x1,5 DIN 471	1
2.46	7010021	Gland PG 9	2

Pos. No.	Article no.	Description	pc.
2.47	6011931	Gear wheel 60 teeth	1
2.48	6015661	Ball bearing 6900 ZZ	1
2.49	5010081	Ball bearing 6001 2Z	1
2.50	6012271	Circlip ring 28x1,2 DIN 472	1
2.51	6015801	Spring ring 4,1 DIN 128	1
2.52	6015811	Washer 4,3 DIN 9021	1
2.53	6015751	Hexagon socket set screw with adaptor end	3
2.54	6013611	Latch spring for feed shaft	2
2.55	6010311	Hexagon socket set screw M6x6 DIN 913	2
2.56	6010031	Nut M5 DIN 934	3
2.57	6010041	Adjusting screw M5x16 DIN 913	3
2.58	6012262	Adjustment rail right, screwed	1
2.59	6010011	Hexagon socket cylinder head screw M6x16 DIN 912	6
2.60	6010021	Spring washer 6,1 DIN 7980	9
2.61	7012171	Hexagon socket cylinder head screw M6x20 DIN 7984	8
2.62	6013441	Disc 6,4x11x1,6 DIN 433	8
2.63	6012252	Adjustment rail left, screwed	1
2.64	6010091	Hexagon socket head cap screw M6x20 DIN 912	3
2.65	6010081	Rack	1
2.66	7010061	Earthing complete	1
2.67	7012441	Cylinder pin 4m6x12 DIN 6325	2
2.68	4000101	Cylinder pin, hardened 6m6x10 DIN 6325	2
2.69	6011941	Bearing 61809 ZZ	1
2.70	7060011	Star handle housing	1
2.71	4000252	Dovetail carriage	1
2.72.1	7013461	Ready-for-use connection cable for board 110V	1
2.72.2	7013361	Ready-for-use connection cable for board 230V	1
2.73	ZIA 219-KN	Industrial arbor CM 2 for automatic lubrication - Weldon 19mm	1
2.74	6000411	Stop pin M6x65 mm	1
2.75	6010391	Cover for motor connector	1
2.76	6010401	Chipboard screw 5x35 black chromated	4

